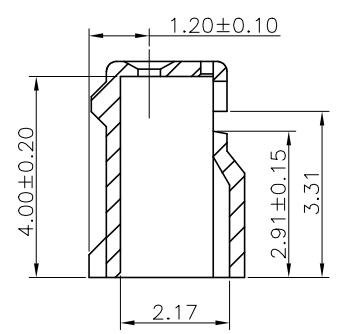
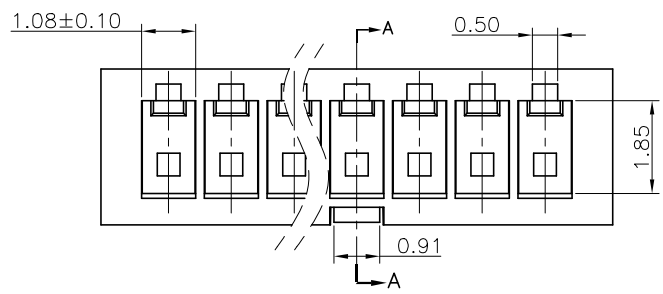
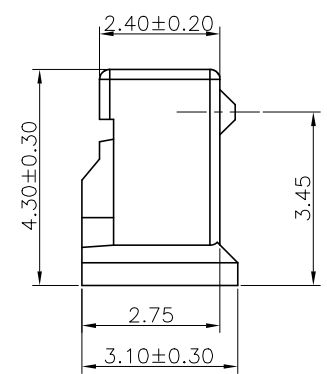
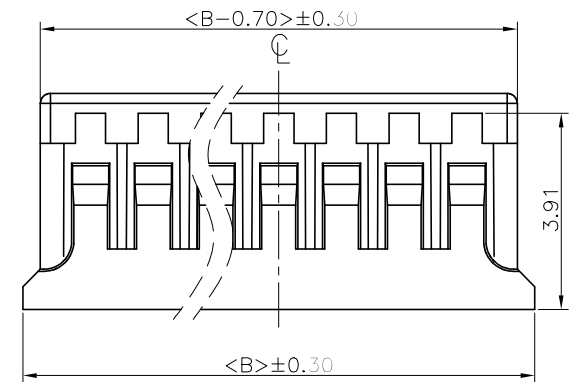


NOTES:
 CURRENT RATING: 1.5A AC/DC.
 VOLTAGE RATING: 100V AC/DC.
 TEMPERATURE RANGE: -25° C~+85° C.
 CONTACT RESISTANCE: 20mΩ MAX.
 INSULATION REAIATANCE: 1000MΩ MIN.
 WITHSTANDING VOLTAGE: 800V AC/MINUTE.
 MATERAL: PA66+15%GF UL 94V-0 BROWM.



SECTION: (A-A)

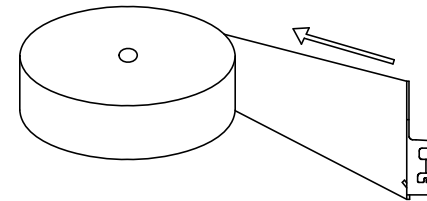
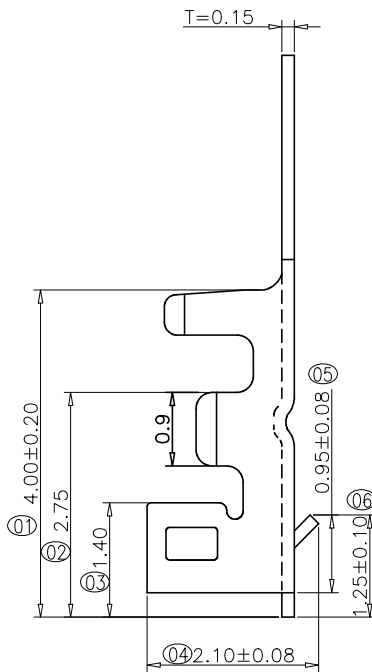
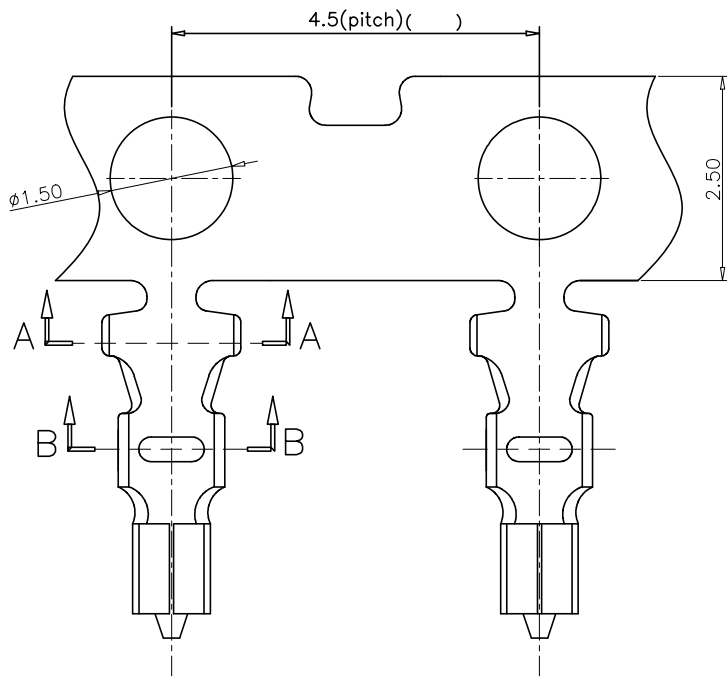


PART NO.	Dimensions	
	A	B
A1251H-02P	1.25	3.95
A1251H-03P	2.50	5.20
A1251H-04P	3.75	6.45
A1251H-05P	5.00	7.70
A1251H-06P	6.25	8.95
A1251H-07P	7.50	10.20
A1251H-08P	8.75	11.45
A1251H-09P	10.00	12.70
A1251H-10P	11.25	13.95
A1251H-11P	12.50	15.20
A1251H-12P	13.75	16.45
A1251H-13P	15.00	17.70
A1251H-14P	16.25	18.95
A1251H-15P	17.50	20.20

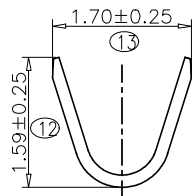
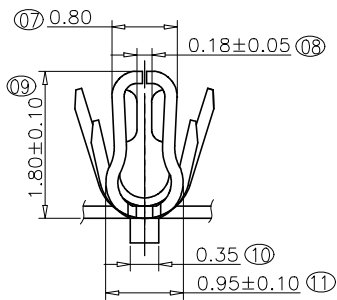
LHF 东莞市连海电子有限公司
 DONG GUAN LIAN HAI ELECTRONICS CO. LTD

DRAW NO.:	A1251H	DATE:	01/21/08	P/N NO.:	A1251H-NP	DRAW NAME:	1.25 mm pitch housing
DESIGN:	吴晓涛	CHECK:		REV. C	SCALE 1:1	UNIT: mm	SHEET: 1 of 1
CHECK:		REVIEW:					

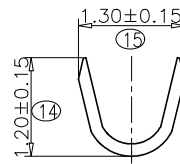
DIM	TOL	DIM	TOL
X.	/	X'	/
X.X	±0.25	X.X'	±2°
X.XX	±0.20	X.XX'	±1°
X.XXX	±0.10	X.XXX'	/



电镀后的收料方向
(打线开口朝外)



SECTION: A-A
SCALE 1:1



SECTION: B-B
SCALE 1:1

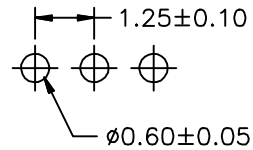
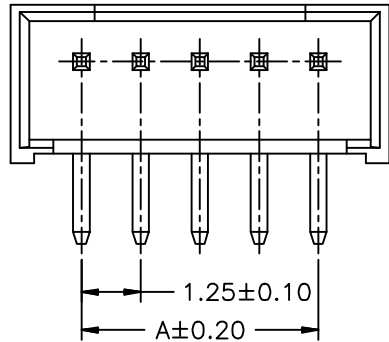
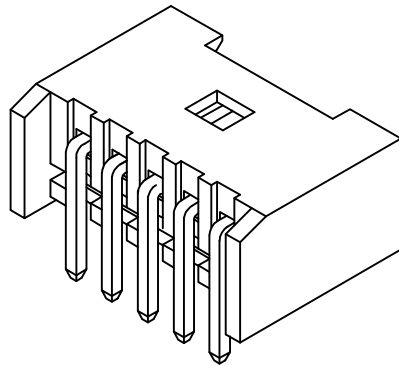
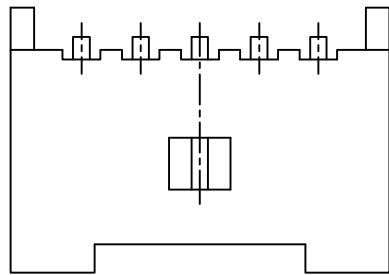
LHF 东莞市连海电子有限公司
DONG GUAN LIAN HAI ELECTRONICS CO. LTD

DRAW NO.	DATE	P/N NO:	DRAW NAME:
DESIGN: 刘仁强	03/01/10'	A1251-TPE	1.25 mm pitch terminal
CHECK:		REV. F	SCALE 1:1
REVIEW:		UNIT: mm	SHEET: 1 OF 1

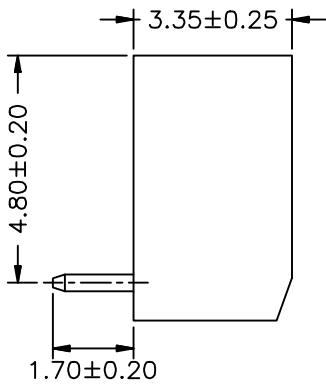
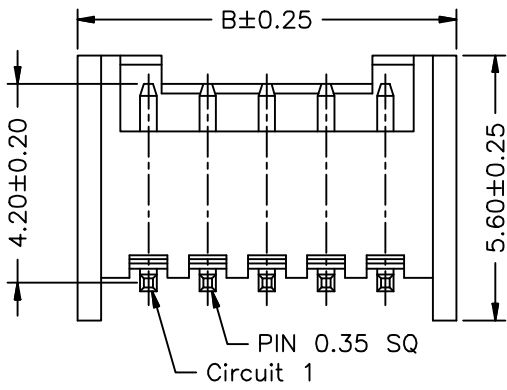
DIM	TOL	DIM	TOL
X.X	/	X.X'	/
X.X	±0.25	X.X'	±2'
X.XX	±0.20	X.XX'	±1'
X.XXX	±0.10	X.XXX'	/

Part No.	WIRE RANGE	Insulation O.D.	Material	Finish	Qty/reel
A1251-TPE	AWG#28-32	0.8mm(max)	Phosphor Bronze	Tin-plated	15000pcs

RoHS



P.C.B. LAYOUT



PIN	PART No.	Dimension mm	
		A	B
2	A1251-WR-2P	1.25	4.25
3	A1251-WR-3P	2.50	5.50
4	A1251-WR-4P	3.75	6.75
5	A1251-WR-5P	5.00	8.00
6	A1251-WR-6P	6.25	9.25
7	A1251-WR-7P	7.50	10.50
8	A1251-WR-8P	8.75	11.75
9	A1251-WR-9P	10.0	13.00
10	A1251-WR-10P	11.25	14.25
11	A1251-WR-11P	12.50	15.50
12	A1251-WR-12P	13.75	16.75
13	A1251-WR-13P	15.00	18.00
14	A1251-WR-14P	16.25	19.25
15	A1251-WR-15P	17.50	20.50

Unit:mm

SPECIFICATIONS
 Current Rating: 1A AC,DC
 Voltage Rating: 200V AC,DC
 Temperature Range: -25°C ~ +85°C
 Contact Resistance: 20mΩ Max.
 Insulation Resistance: 100MΩ Min.
 Withstanding Voltage: 500V AC/minute
 Pin Material: Brass/Tin-plated
 Material: Nylon 66,UL94V-0
 Pantone Color: 472C

圖面編號		東莞市連海電子有限公司 LHF DONG GUAN LIAN HAI ELECTRONICS CO.LTD	
一般公差	.X±0.25 .XX±0.15 <±12°	圖面名稱:	JAE1.25 DIP 90度 WAFER
頁次	10P1	繪圖/日期	李小姐 2008-5-28
設計/日期		核對/日期	
單位	mm	比例	版次 A0