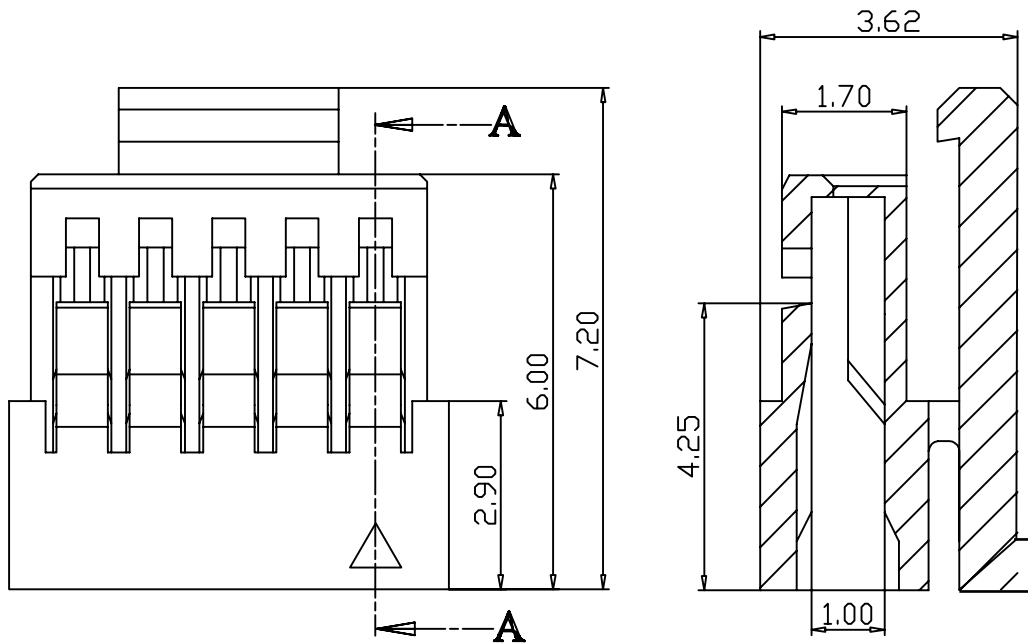
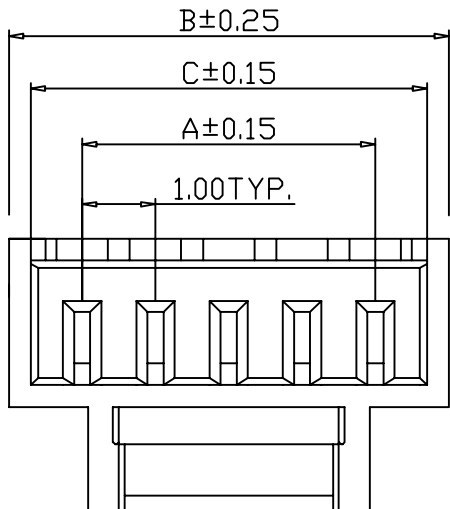
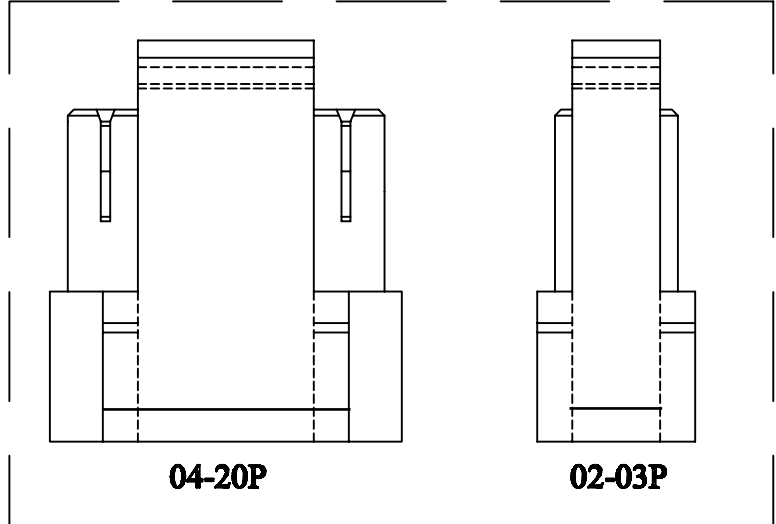


版次 REV	日期 DATE	说明 DESCRIPTION	设变 CHANGE
0	12/08/28	新发行	
PA			



Section A-A



Poles	Dimensions (mm)		
	A	B	C
2	1.00	3.00	2.40
3	2.00	4.00	3.40
4	3.00	5.00	4.40
5	4.00	6.00	5.40
6	5.00	7.00	6.40
7	6.00	8.00	7.40
8	7.00	9.00	8.40
9	8.00	10.00	9.40
10	9.00	11.00	10.40
11	10.00	12.00	11.40
12	11.00	13.00	12.40
13	12.00	14.00	13.40
14	13.00	15.00	14.40
15	14.00	16.00	15.40
16	15.00	17.00	16.40
17	16.00	18.00	17.40
18	17.00	19.00	18.40
19	18.00	20.00	19.40
20	19.00	21.00	20.40

Specifications

- Voltage Rating: 50V AC/DC
- Current Rating: 1A AC/DC
- Withstanding Voltage: 500V AC/Minute
- Insulation Resistance: 100M Ω Min
- Temperature Range: -25°C~+85°C
- Contact Resistance: Initial Value/20m Ω Max.

Housing

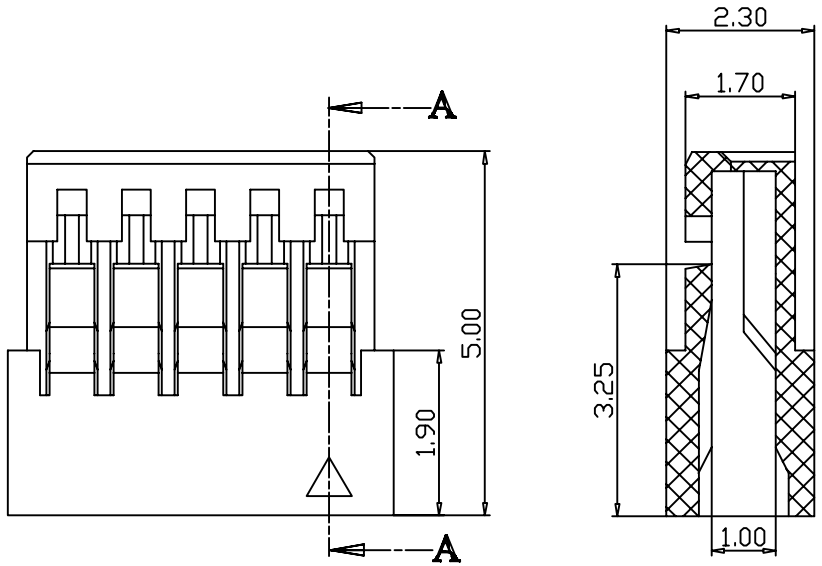
- Part No.: A1005-HA-NP
- Poles: 02-20
- Material: Nylon66 UL 94V-0
- Color: Nature
- Suitable A1005-HA Series Terminal
- Q'ty: 1,000 Pcs/Bag

LHF 东莞市连海电子有限公司
DONG GUAN LIAN HAI ELECTRONICS CO.LTD

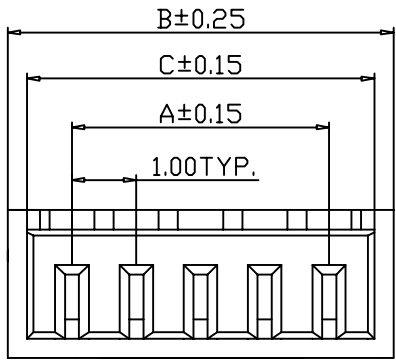
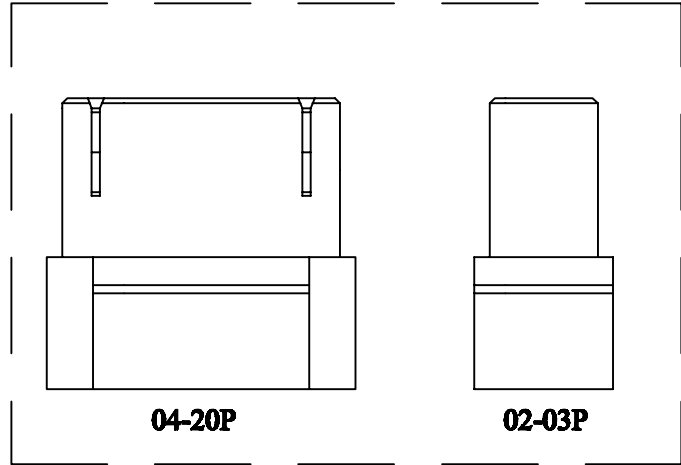
DRAW NO.	DATE	MODEL NO	DRAW NAME
DESIGN:		P/N NO:	
CHECK	周涛	A1005-HA-nP	NH1.0 带扣HSG-nP
REVIEW:		REV C	SCALE 1:1
		UNIT: mm	SHEET: 1 OF 1

DIM	TOL	DIM	TOL
X.X	/	X.X*	/
X.XX	±0.15	X.XX*	±2*
X.XXX	±0.10	X.XXX*	±1*
X.XXX	±0.05	X.XXX*	/

版次 REV	日期 DATE	说明 DESCRIPTION	设变 CHANGE
0	12/08/28	新发行	
PA			



Section A-A



Poles	Dimensions (mm)		
	A	B	C
2	1.00	3.00	2.40
3	2.00	4.00	3.40
4	3.00	5.00	4.40
5	4.00	6.00	5.40
6	5.00	7.00	6.40
7	6.00	8.00	7.40
8	7.00	9.00	8.40
9	8.00	10.00	9.40
10	9.00	11.00	10.40
11	10.00	12.00	11.40
12	11.00	13.00	12.40
13	12.00	14.00	13.40
14	13.00	15.00	14.40
15	14.00	16.00	15.40
16	15.00	17.00	16.40
17	16.00	18.00	17.40
18	17.00	19.00	18.40
19	18.00	20.00	19.40
20	19.00	21.00	20.40

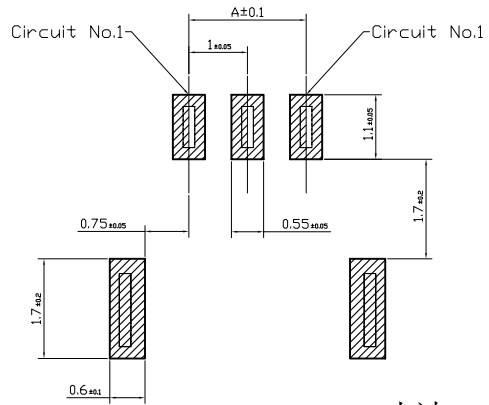
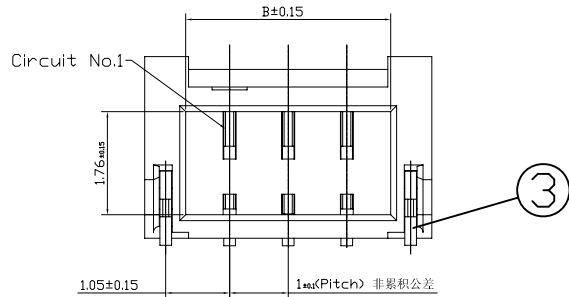
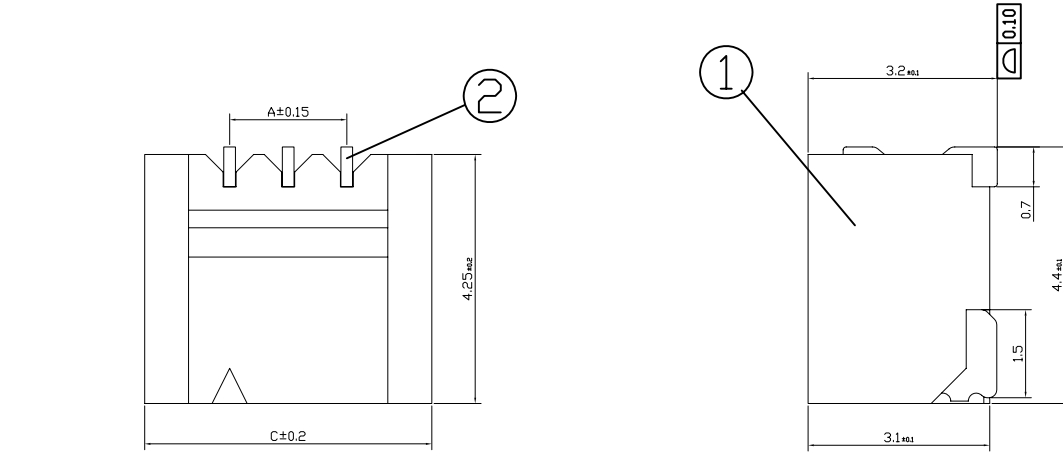
- Specifications**
- Voltage Rating: 50V AC/DC
 - Current Rating: 1A AC/DC
 - Withstanding Voltage: 500V AC/Minute
 - Insulation Resistance: 100MΩ Min
 - Temperature Range: -25°C~+85°C
 - Contact Resistance: Initial Value/20mΩ Max.

- Housing**
- Part No.: A1005-H-NP
 - Poles: 02-20
 - Material: Nylon66 UL 94V-0
 - Color: Nature
 - Suitable A1005-H Series Terminal
 - Qty: 1,000 Pcs/Bag

LHF 东莞市连海电子有限公司
DONG GUAN LIAN HAI ELECTRONICS CO.LTD

DRAW NO.	DATE	MODEL NO	DRAW NAME
DESIGN:		P/N NO:	
CHECK	周涛	A1005-H-NP	NH1.0 HSG-nP
REVIEW:		REV C	SCALE 1:1
		UNIT: mm	SHEET: 1 OF 1

DIM	TOL	DIM	TOL
X.	/	X.*	/
X.X	±0.15	X.X*	±2*
X.XX	±0.10	X.XX*	±1*
X.XXX	±0.05	X.XXX*	/



A1005-WR-S-NP-A PCB寸法
PCB Layout

技术指标:

- 1、塑件表面应光洁、无毛刺、明显收缩、缺陷、裂纹等现象;
- 2、温度范围: -25° C~85° C;
- 3、额定电压: 150V, AC, DC(等效);
- 4、接触电阻: ≤0.03 Ω;
- 5、绝缘电阻: ≥100M Ω;
- 6、耐压: 500V, AC/minute.

ROHS管理规定:

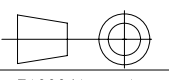
- 1、禁止使用含有ROHS指令所限制的物质。
- 2、对应的SGS或ITS出具的ICP-AES数据、不可测定物质的成分表, 有效期一年。

Pin位	Type	A	B	C
2	A1005-WR-S-02P-A	1.0	2.5	3.9
3	A1005-WR-S-03P-A	2.0	3.5	4.9
4	A1005-WR-S-04P-A	3.0	4.5	5.9
5	A1005-WR-S-05P-A	4.0	5.5	6.9
6	A1005-WR-S-06P-A	5.0	6.5	7.9
7	A1005-WR-S-07P-A	6.0	7.5	8.9
8	A1005-WR-S-08P-A	7.0	8.5	9.9
9	A1005-WR-S-09P-A	8.0	9.5	10.9
10	A1005-WR-S-10P-A	9.0	10.5	11.9
11	A1005-WR-S-11P-A	10.0	11.5	12.9
12	A1005-WR-S-12P-A	11.0	12.5	13.9
13	A1005-WR-S-13P-A	12.0	13.5	14.9
14	A1005-WR-S-14P-A	13.0	14.5	15.9
15	A1005-WR-S-15P-A	14.0	15.5	16.9
16	A1005-WR-S-16P-A	15.0	16.5	17.9
17	A1005-WR-S-17P-A	16.0	17.5	18.9
18	A1005-WR-S-18P-A	17.0	18.5	19.9
19	A1005-WR-S-19P-A	18.0	19.5	20.9
20	A1005-WR-S-20P-A	19.0	20.5	21.9

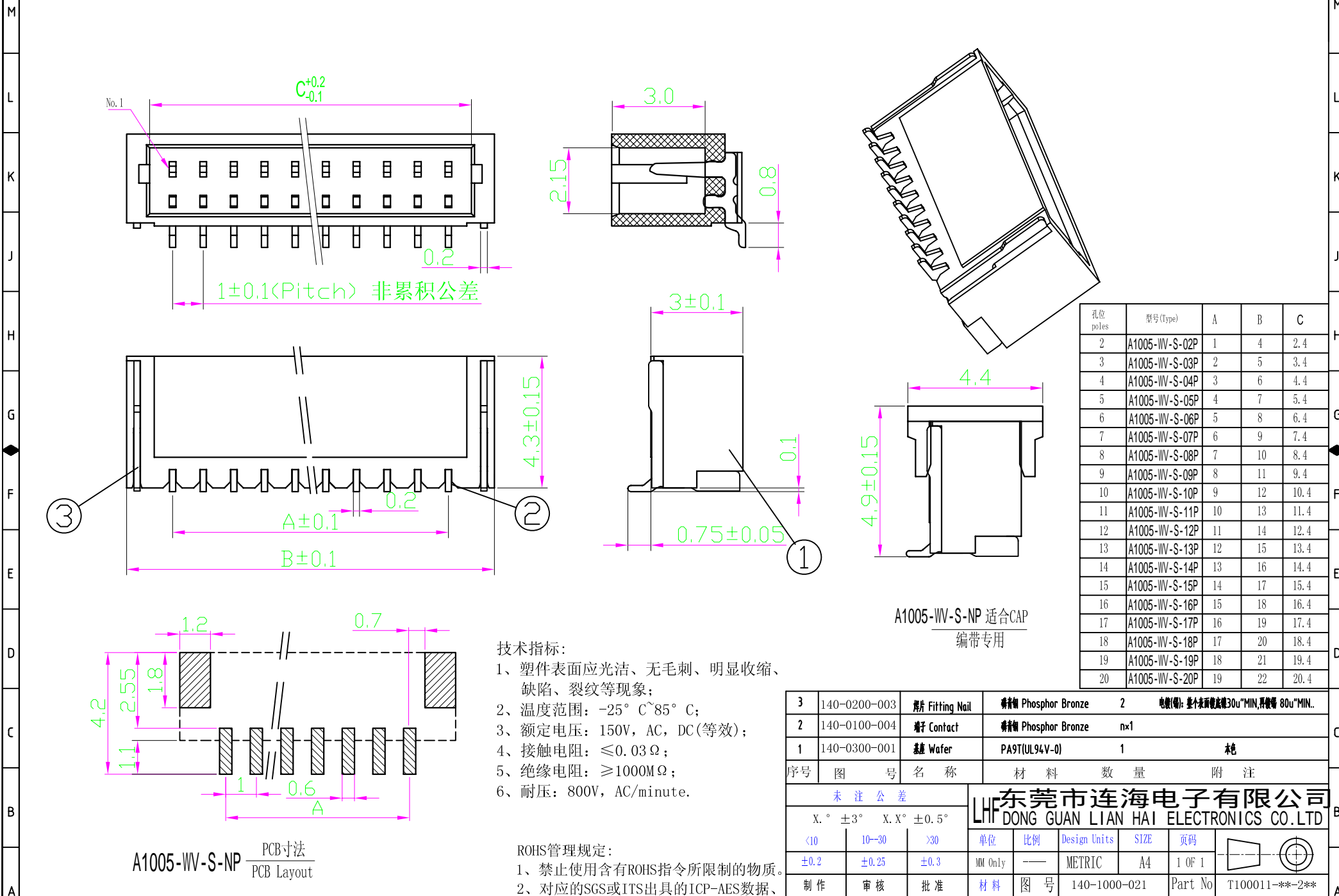
3	152-0200-003	焊片 Fitting Nail	磷青铜 Phosphor Bronze	2	电镀(金): 整个表面镀底镍30u"MIN,再镀铜 80u"MIN.
2	152-0100-022	端子 Contact	磷青铜 Phosphor Bronze	n×1	电镀(金): 整个表面镀底镍30u"MIN,再镀铜 80u"MIN.
1	152-0300-001	基板 Wafer	PA9T(UL94V-0)	1	枪

序号	图号	名称	材料	数量	附注
未注公差					
X.° ±3° X.X° ±0.5°					
<10	10--30	>30	单位	比例	Design Unit:SIZE 页码
±0.2	±0.25	±0.3	MM Only	----	METRIC A4 1 OF 1
制作	审核	批准	材料	图号	152-1000-023 Part No
胡海针	洪新江	周涛	见图解	品名	T100041-**-1**
A1005-WR-S-NP-A					

LHF 东莞市连海电子有限公司
DONG GUAN LIAN HAI ELECTRONICS CO.LTD



15 14 13 12 11 10 9 8 7 6 5 4 3 2 1



孔位 poles	型号 (Type)	A	B	C
2	A1005-WV-S-02P	1	4	2.4
3	A1005-WV-S-03P	2	5	3.4
4	A1005-WV-S-04P	3	6	4.4
5	A1005-WV-S-05P	4	7	5.4
6	A1005-WV-S-06P	5	8	6.4
7	A1005-WV-S-07P	6	9	7.4
8	A1005-WV-S-08P	7	10	8.4
9	A1005-WV-S-09P	8	11	9.4
10	A1005-WV-S-10P	9	12	10.4
11	A1005-WV-S-11P	10	13	11.4
12	A1005-WV-S-12P	11	14	12.4
13	A1005-WV-S-13P	12	15	13.4
14	A1005-WV-S-14P	13	16	14.4
15	A1005-WV-S-15P	14	17	15.4
16	A1005-WV-S-16P	15	18	16.4
17	A1005-WV-S-17P	16	19	17.4
18	A1005-WV-S-18P	17	20	18.4
19	A1005-WV-S-19P	18	21	19.4
20	A1005-WV-S-20P	19	22	20.4

A1005-WV-S-NP 适合CAP
编带专用

- 技术指标:
- 1、塑件表面应光洁、无毛刺、明显收缩、缺陷、裂纹等现象;
 - 2、温度范围: $-25^{\circ}\text{C} \sim 85^{\circ}\text{C}$;
 - 3、额定电压: 150V, AC, DC(等效);
 - 4、接触电阻: $\leq 0.03 \Omega$;
 - 5、绝缘电阻: $\geq 1000\text{M}\Omega$;
 - 6、耐压: 800V, AC/minute.

A1005-WV-S-NP PCB寸法
PCB Layout

- ROHS管理规定:
- 1、禁止使用含有ROHS指令所限制的物质。
 - 2、对应的SGS或ITS出具的ICP-AES数据、不可测定物质的成分表, 有效期一年。

3	140-0200-003	弹片 Fitting Nail	磷青铜 Phosphor Bronze	2	电鍍(銅): 整个表面鍍厚30u"MIN, 再鍍層 80u"MIN.
2	140-0100-004	端子 Contact	磷青铜 Phosphor Bronze	n x 1	
1	140-0300-001	蓋板 Wafer	PA9T(UL94V-0)	1	梳
序号	图号	名称	材料	数量	附注
未注公差			东莞市连海电子有限公司 LHF DONG GUAN LIAN HAI ELECTRONICS CO.LTD		
$X.^{\circ} \pm 3^{\circ}$		$X.X.^{\circ} \pm 0.5^{\circ}$		单位	比例
<10	10-30	>30	MM Only	METRIC	Design Units
± 0.2	± 0.25	± 0.3	—	A4	SIZE
制作	审核	批准	材料	图号	页码
胡海针	洪新江	周涛	见图解	140-1000-021	1 OF 1
			品名	Part No	T100011-**-2**
			A1005-WV-S-NP		

M L K J H G F E D C B A

M L K J H G F E D C B A

15 14 13 12 11 10 9 8 7 6 5 4 3 2 1