

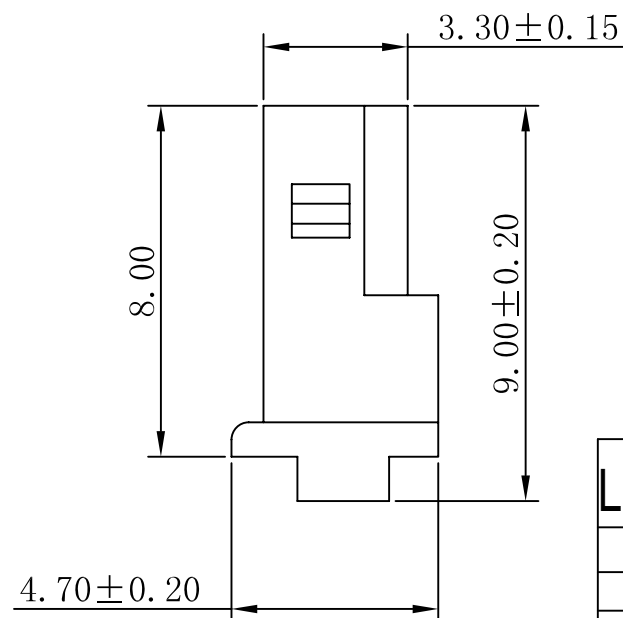
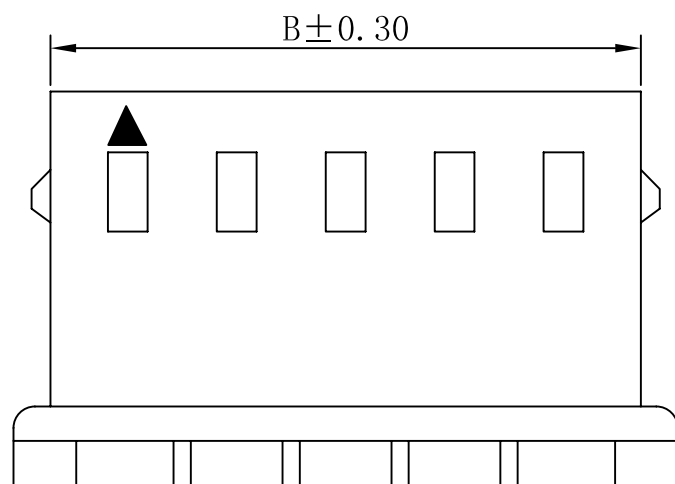
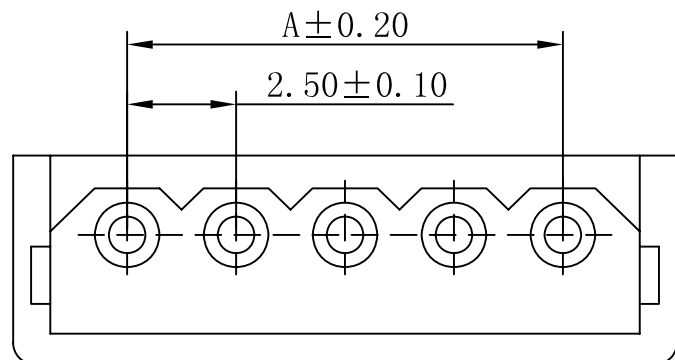
REV.	ECN NO.	LOCTIONS.	DESCRIPTION	DATE	CHANGER
A			新版本	2011-05-24	陈雄军

■ SPECIFICATIONS

- Voltage rating: 250V AC, DC
- Current rating: 3A, AC, DC
- Withstanding Voltage: 1000V AC/minute
- Insulation resistance: 1000MΩ min
- Temperature range: -25° C ~ +85° C
- Contact resistance: 20mΩ max

■ HOUSING

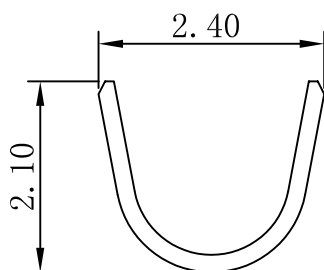
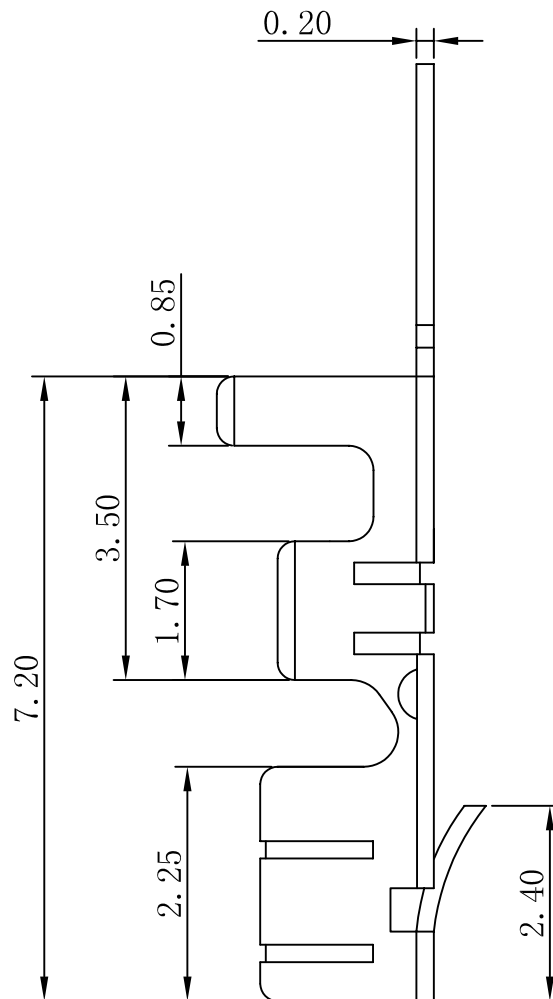
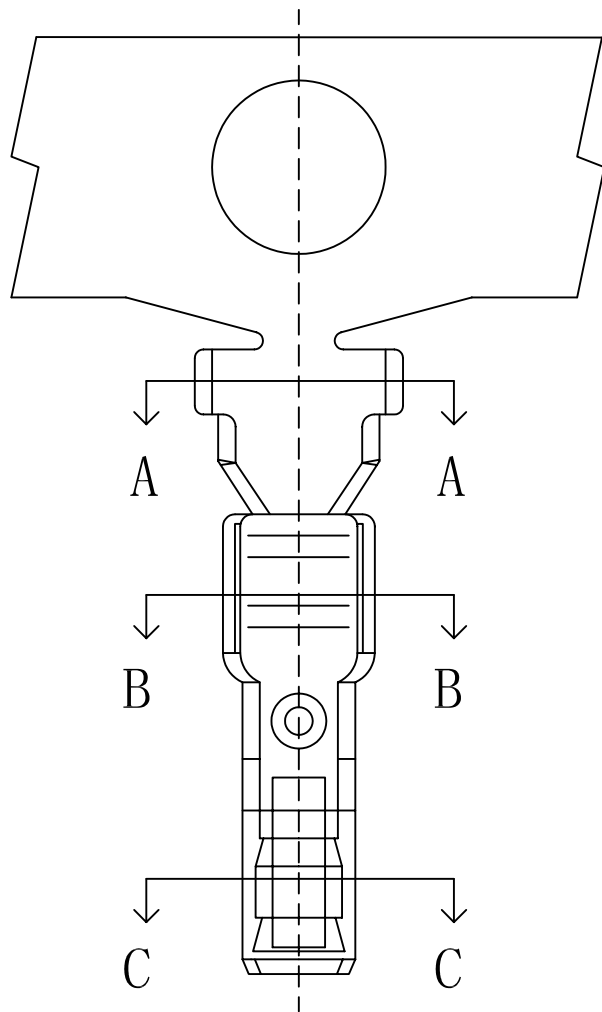
- Part No. : A2506-H-NP
- Poles: 02-16
- Material: Nylon 66 UL 94V-0



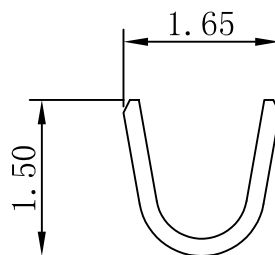
PART NO.	Dimensions (mm)	
	A	B
02	2.50	5.80
03	5.00	8.30
04	7.50	10.80
05	10.00	13.80
06	12.50	15.80
07	15.00	18.30
08	17.50	20.80
09	20.00	23.30
10	22.50	25.80
11	25.00	28.30
12	27.50	30.80
13	30.00	33.30
14	32.50	35.80
15	35.00	38.30
16	37.50	40.80

LHF 东莞市连海电子有限公司 DONG GUAN LIAN HAI ELECTRONICS CO. LTD			TOLERANCE	
TITLE 成品规格图			0 ± 0.30	
CHECKED BY			.0 ± 0.25	
DATE 2011-05-24			.00 ± 0.20	
SCALE 1:1			.000 ± 0.015	
DRAWN BY 陈雄军			VER NO.	SIZE
PART NO. A2506-H-NP			A	A4

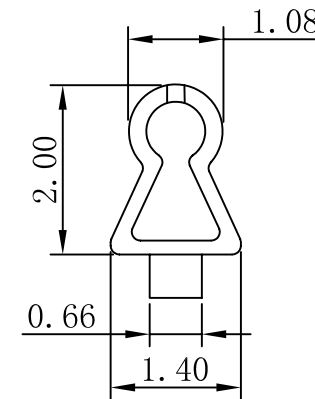
REV.	ECN NO.	LOCTIONS.	DESCRIPTION	DATE	CHANGER
A			新版本	2011-05-24	陈雄军



SEC A-A



SEC B-B



SEC C-C

■ SPECIFICATIONS

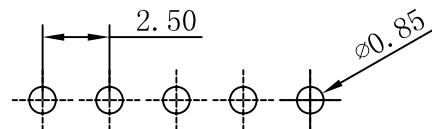
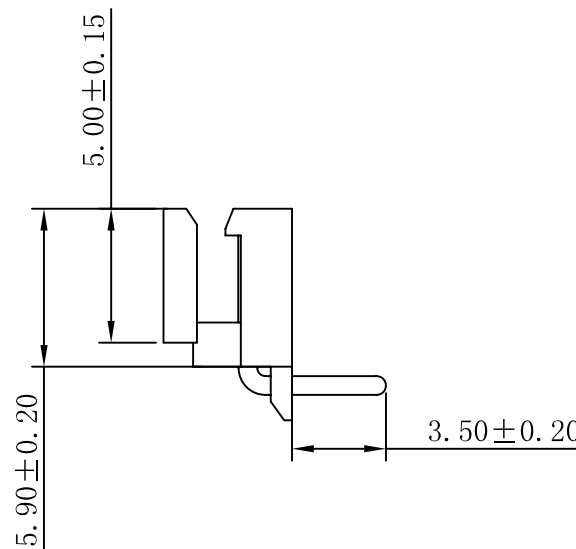
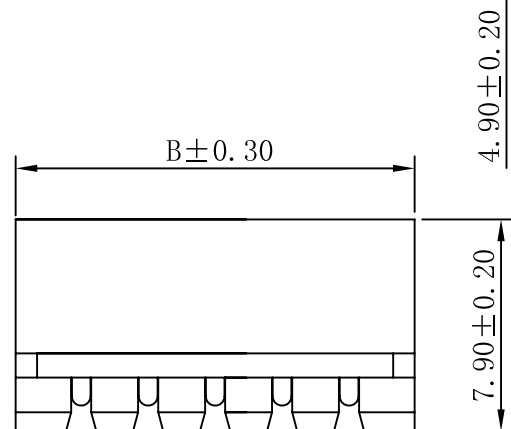
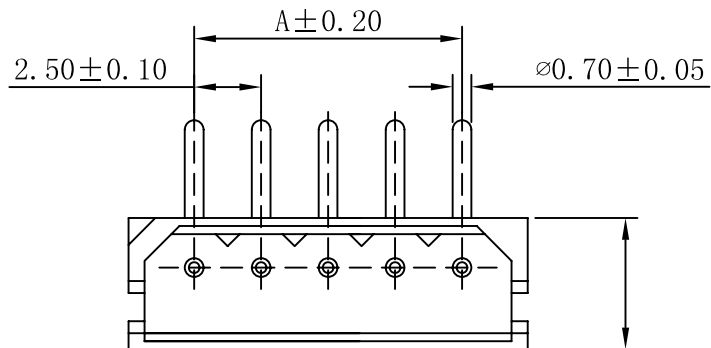
- Voltage rating: 250V AC, DC
- Current rating: 3A, AC, DC
- Withstanding Voltage: 1000V AC/minute
- Insulation resistance: 1000M Ω min
- Temperature range: -25° C ~ +85° C
- Contact resistance: 10m Ω max

■ TERMINAL

- Part No. : A2506-T
- Applicable wire: AWG#22-#28
- Material: phosphor Bronze
- Finish: Tin plated

东莞市连海电子有限公司 LHF DONG GUAN LIAN HAI ELECTRONICS CO.LTD			TOLERANCE	
			0 \pm 0.30	
			.0 \pm 0.25	
			.00 \pm 0.20	
			.000 \pm 0.015	
TITLE	成品规格图		VER NO.	SIZE
CHECKED BY	DATE	SCALE	A	A4
	2011-05-24	1:1		
DRAWN BY	UNIT: mm			
陈雄军	PART NO.	A2506-T		

REV.	ECN NO.	LOCTIONS.	DESCRIPTION	DATE	CHANGER
A			新版本	2011-05-24	陈雄军



P. C. B. LAYOUT

■ SPECIFICATIONS

- Voltage rating: 250V AC, DC
- Current rating: 3A, AC, DC
- Withstanding Voltage: 1000V AC/minute
- Insulation resistance: $1000M\Omega$ min
- Temperature range: $-25^{\circ}C \sim +85^{\circ}C$
- Contact resistance: $20m\Omega$ max

■ WAFER

- Part No. : **A2506-WR-NP**
- Poles : 02-16
- Material: Nylon 66 UL94V-0
- Pin Material: Brass /Tin-plated

Part No	Dimension (mm)	
	A	B
02	2.50	7.50
03	5.00	10.00
04	7.50	12.50
05	10.00	15.00
06	12.50	17.50
07	15.00	20.00
08	17.50	22.50
09	20.00	25.00
10	22.50	27.50
11	25.00	30.00
12	27.50	32.50
13	30.00	35.00
14	32.50	37.50
15	35.00	40.00
16	37.50	42.50

LHF 东莞市连海电子有限公司 DONG GUAN LIAN HAI ELECTRONICS CO. LTD			TOCERANCE	
			0 ± 0.30	
TITLE 成品规格图			.0 ± 0.25	
			.00 ± 0.20	
CHECKED BY	DATE	SCALE	.000 ± 0.015	
	2011-05-24	1:1	VER NO.	SIZE
DRAWN BY	UNIT: mm		A	A4
陈雄军	PART NO.	A2506-WR-NP		

REV.	ECN NO.	LOCTIONS.	DESCRIPTION	DATE	CHANGER
A			新版本	2011-05-24	陈雄军

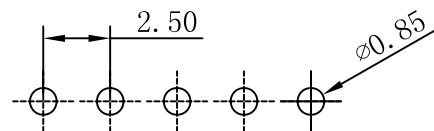
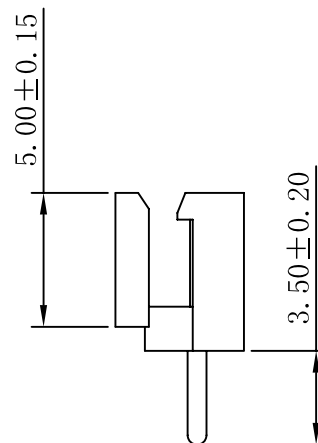
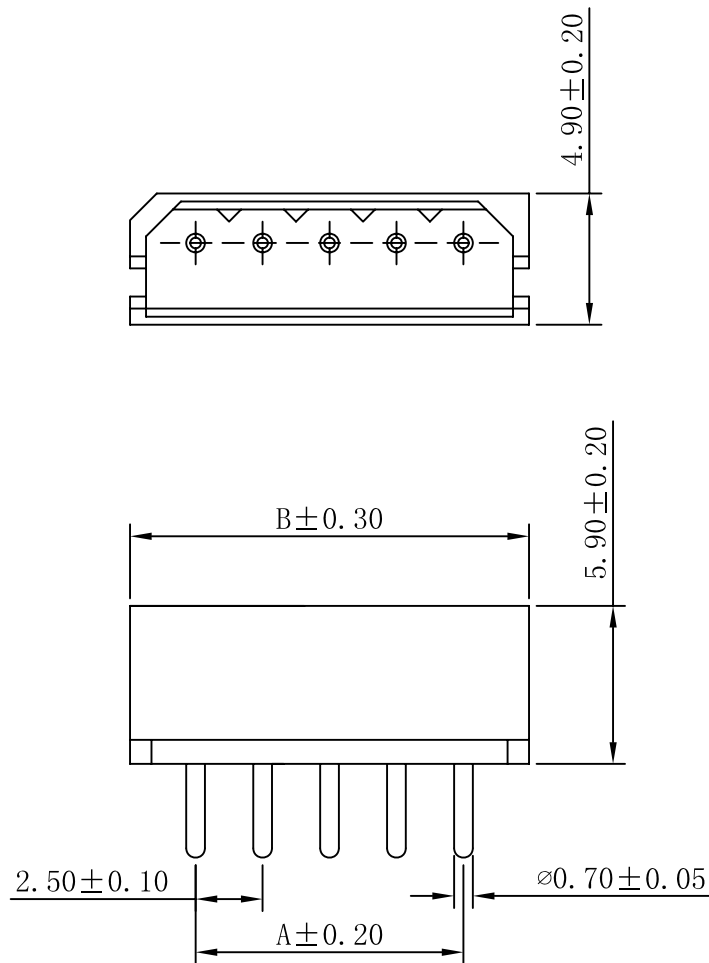
■ SPECIFICATIONS

- Voltage rating: 250V AC, DC
- Current rating: 3A, AC, DC
- Withstanding Voltage: 1000V AC/minute
- Insulation resistance: 1000MΩ min
- Temperature range: -25° C ~ +85° C
- Contact resistance: 20mΩ max

■ WAFER

- Part No. : A2506-WV-NP
- Poles : 02-16
- Material: Nylon 66 UL94V-0
- Pin Material: Brass /Tin-plated

Part No	Dimension (mm)	
	A	B
02	2.50	7.50
03	5.00	10.00
04	7.50	12.50
05	10.00	15.00
06	12.50	17.50
07	15.00	20.00
08	17.50	22.50
09	20.00	25.00
10	22.50	27.50
11	25.00	30.00
12	27.50	32.50
13	30.00	35.00
14	32.50	37.50
15	35.00	40.00
16	37.50	42.50



P. C. B. LAYOUT

LHF 东莞市连海电子有限公司 DONG GUAN LIAN HAI ELECTRONICS CO.LTD			TOCERANCE	
			0 ± 0.30	
TITLE 成品规格图			.0 ± 0.25	
			.00 ± 0.20	
CHECKED BY	DATE	SCALE	.000 ± 0.015	
	2011-05-24	1:1	VER NO.	SIZE
DRAWN BY	UNIT: mm		A	A4
陈雄军	PART NO.	A2506-WV-NP		