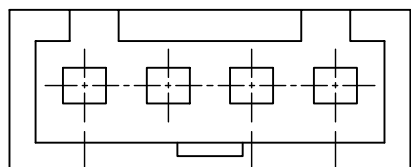
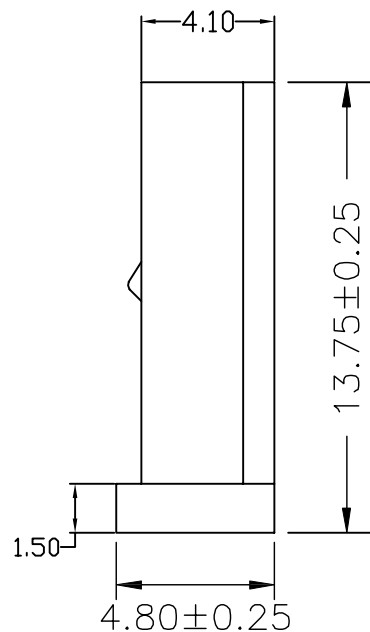
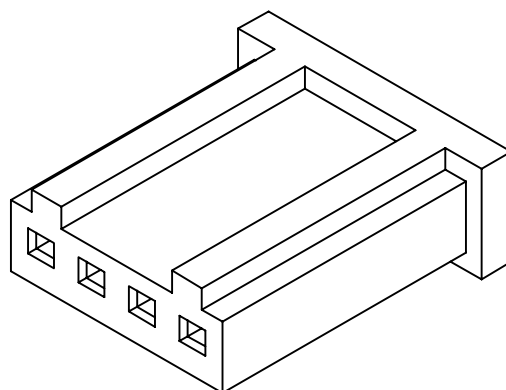
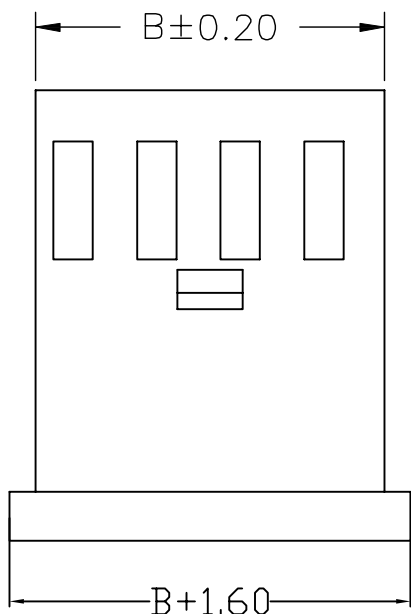


环保物料



2.54 ± 0.10
 $A \pm 0.20$



SPECIFICATIONS

Current Rating: 3A AC,DC
Voltage Rating: 250V AC,DC
Temperature Range: $-25^{\circ}\text{C} \sim +85^{\circ}\text{C}$
Contact Resistance: 20m Ω Max
Insulation Resistance: 1000M Ω Min
Withstanding Voltage: 1000V AC/minute
Material: PBT,UL94V-0
Color: Natural(Black)

Ordering Information & Dimensions

PART NO.	Dimensions	
	A	B
A2549H-02P	2.54	5.60
A2549H-03P	5.08	8.14
A2549H-04P	7.62	10.68
A2549H-05P	10.16	13.22
A2549H-06P	12.70	15.76
A2549H-07P	15.24	18.30
A2549H-08P	17.78	20.84
A2549H-09P	20.32	23.38
A2549H-10P	22.86	25.92
A2549H-11P	25.40	28.46
A2549H-12P	27.94	31.00
A2549H-13P	30.48	33.54
A2549H-14P	33.02	36.08
A2549H-15P	35.56	38.62
A2549H-16P	38.10	41.16
A2549H-17P	40.64	43.70
A2549H-18P	43.18	46.24
A2549H-19P	45.72	48.78
A2549H-20P	48.26	51.32
A2549H-21P	50.80	53.86
A2549H-22P	53.34	56.40

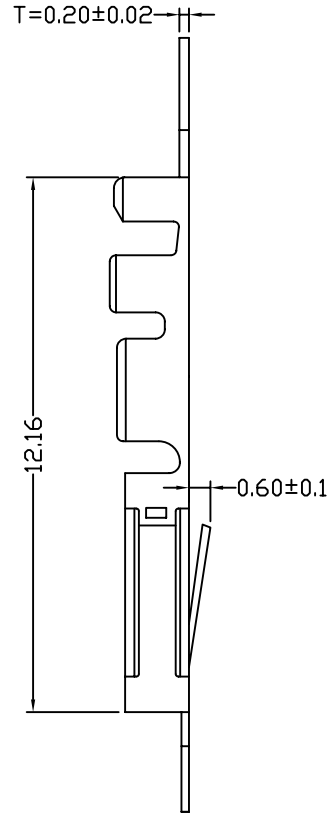
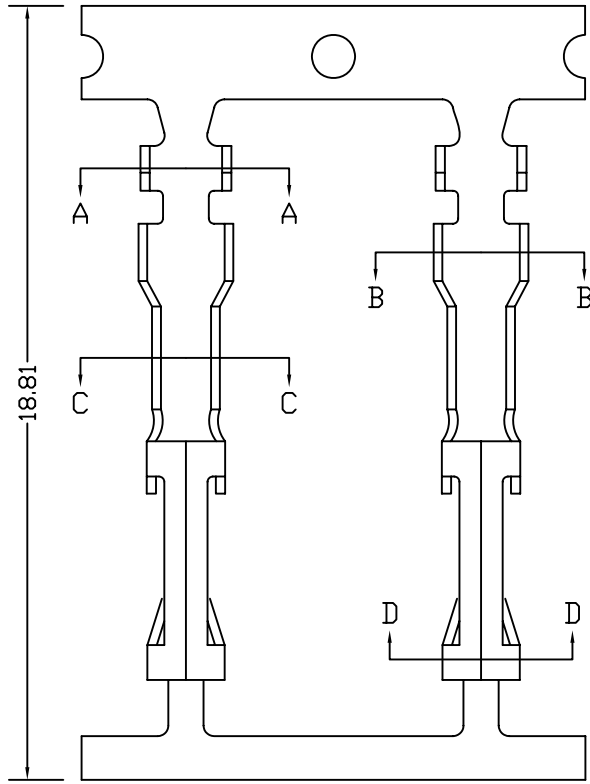
LHF 东莞市连海电子有限公司
DONG GUAN LIAN HAI ELECTRONICS CO.LTD

DRAW NO.	DATE	MODEL NO	DRAW NAME
DESIGN:		P/N NO:	AMP2.54 HSG-NP
CHECK:	周涛	A2549-H-NP	
REVIEW:	刘丽娜	REV C	SCALE 1:1

DIM	TOL	DIM	TOL
X.	/	X.*	/
X.X	± 0.15	X.X*	$\pm 2^{\circ}$
X.XX	± 0.10	X.XX*	$\pm 1^{\circ}$
X.XXX	± 0.05	X.XXX*	/

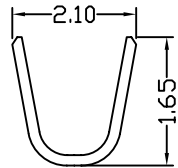
UNIT: mm SHEET: 1 OF 1

环保物料

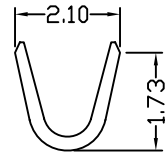


■ Specifications(规格) :

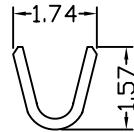
- Voltage rating(额定电压): 250V AC / DC
- Current rating(额定电流): 3A AC / DC
- Withstanding voltage(耐压值): 1000V AC/minute
- Temperature range(工作温度): -25°C~+85°C
- Insulation resistance(绝缘电阻): $\geq 1000M\Omega$
- Contact resistance(接触电阻): $\leq 20m\Omega$
- After environmental testing(环境测试后): $\leq 30m\Omega$



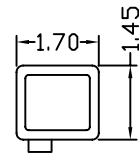
Section: A-A



Section: B-B



Section: C-C



Section: D-D

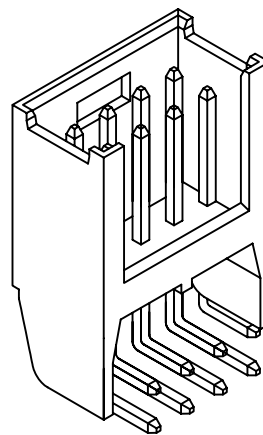
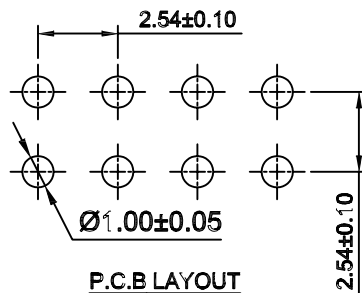
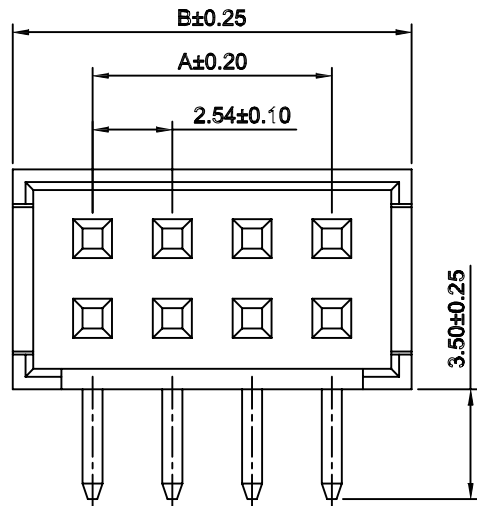
A2549-T	Phosphor Bronze	AWG#22-26	1.55mm(Max)	Stamping Before Plating:30~50u" Ni;70~120u"Sn	A2549-H	15,000Pcs
PART NO	Material	Wire Range	Insulation O.D.	Finish	Used In Housing	Q'ty/Rel

LHF 东莞市连海电子有限公司
DONG GUAN LIAN HAI ELECTRONICS CO.,LTD

DRAW NO.	DATE	MODEL NO	DRAW NAME
DESIGN:		P/N NO:	AMP2.54 镀锡端子
CHECK:	周涛	A2549-T	
REVIEW:	刘丽娜	REV C SCALE 1:1	UNIT: mm SHEET: 1 OF 1

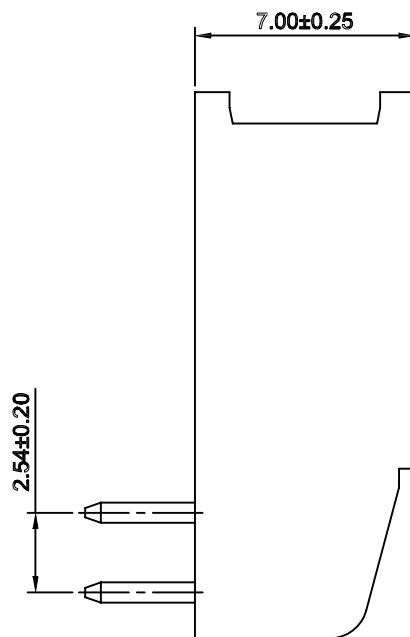
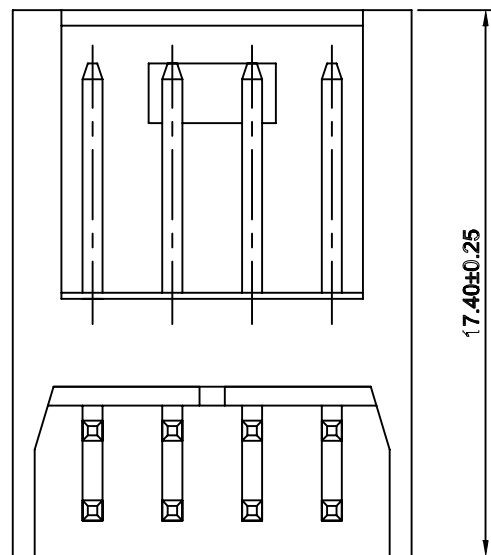
DIM	TOL	DIM	TOL
X.	/	X.*	/
X.X	±0.15	X.X*	±2°
X.XX	±0.10	X.XX*	±1°
X.XXX	±0.05	X.XXX*	/

环保物料



SPECIFICATIONS:

Current Rating: 3A AC,DC
 Voltage Rating: 250V AC,DC
 Temperature Range: -40°C ~ +105°C
 Contact Resistance: 20mΩ Max
 Insulation Resistance: 1000MΩ Min
 Withstanding Voltage: 1000V AC/minute
 Pin Material: Brass/Tin over Nickel
 Material: PBT,UL94V-0(Black)
 Ordering Information & Dimensions



PART NO.	Dimensions	
	A	B
A2549WR-2*2P	2.54	7.46
A2549WR-2*3P	5.08	10.00
A2549WR-2*4P	7.62	12.54
A2549WR-2*5P	10.16	15.08
A2549WR-2*6P	12.70	17.62
A2549WR-2*7P	15.24	20.16
A2549WR-2*8P	17.78	22.70
A2549WR-2*9P	20.32	25.24
A2549WR-2*10P	22.86	27.78
A2549WR-2*11P	25.40	30.32
A2549WR-2*12P	27.94	32.86
A2549WR-2*13P	30.48	35.40
A2549WR-2*14P	33.02	37.94
A2549WR-2*15P	35.56	40.48
A2549WR-2*16P	38.10	43.02

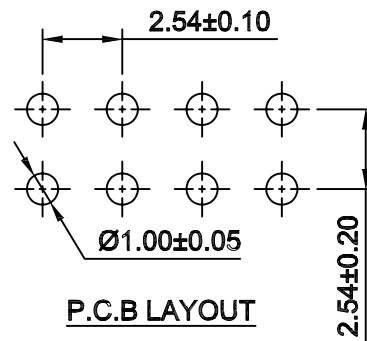
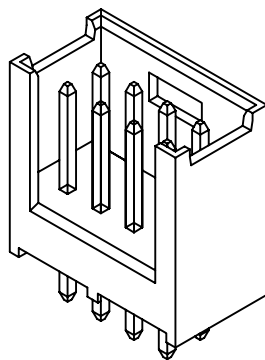
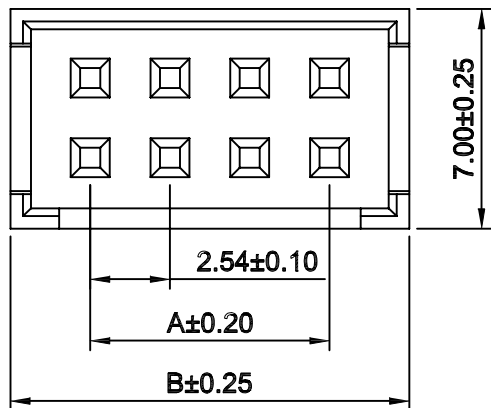
PART NO.	Dimensions	
	A	B
A2549WR-2*17P	40.64	45.56
A2549WR-2*18P	43.18	48.10
A2549WR-2*19P	45.72	50.64
A2549WR-2*20P	48.26	53.18
A2549WR-2*21P	50.80	55.72
A2549WR-2*22P	53.34	58.26
A2549WR-2*23P	55.88	60.80
A2549WR-2*24P	58.42	63.34
A2549WR-2*25P	60.96	65.88
A2549WR-2*26P	63.50	68.42
A2549WR-2*27P	66.04	70.96
A2549WR-2*28P	68.58	73.50
A2549WR-2*29P	71.12	76.04
A2549WR-2*30P	73.66	78.58
A2549WR-2*31P	76.20	81.12
A2549WR-2*32P	78.74	83.66

LHF 东莞市连海电子有限公司
 DONG GUAN LIAN HAI ELECTRONICS CO.,LTD

DRAW NO.	DATE	MODEL NO	DRAW NAME
DESIGN:		P/N NO:	AMP2.54 90度WF-2*NP
CHECK:	周涛	A2549-WR-2*NP	
REVIEW:	刘丽娜	REV C	SCALE 1:1

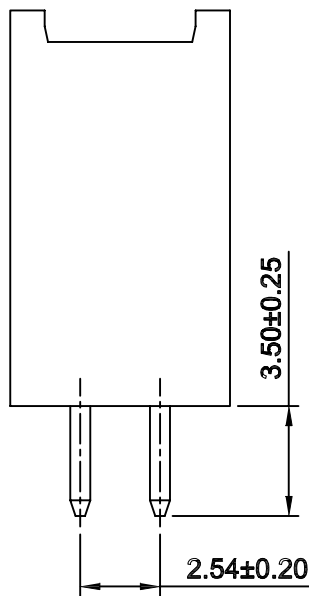
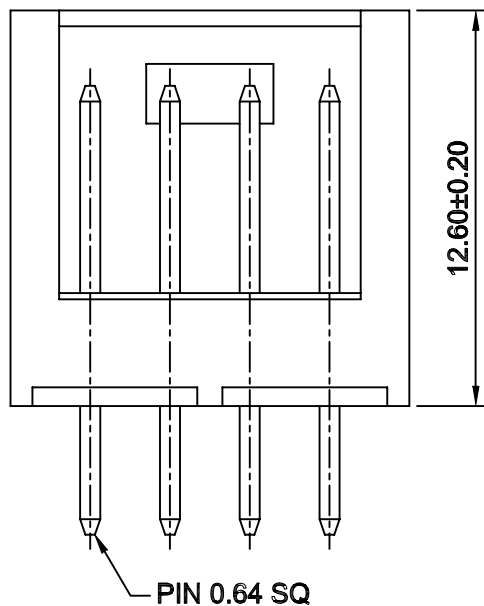
DIM	TOL	DIM	TOL
X.	/	X.	/
X.X	±0.15	X.X*	±2*
X.XX	±0.10	X.XX*	±1*
X.XXX	±0.05	X.XXX*	/

UNIT: mm SHEET: 1 OF 1



SPECIFICATIONS:

- Current Rating: 3A AC,DC
- Voltage Rating: 250V AC,DC
- Temperature Range: -40°C ~ +105°C
- Contact Resistance: 20mΩ Max
- Insulation Resistance: 1000MΩ Min
- Withstanding Voltage: 1000V AC/minute
- Pin Material: Brass/Tin over Nickel
- Material: PBT,UL94V-0(Black)
- Ordering Information & Dimensions



PART NO.	Dimensions	
	A	B
A2549WV-2*2P	2.54	7.46
A2549WV-2*3P	5.08	10.00
A2549WV-2*4P	7.62	12.54
A2549WV-2*5P	10.16	15.08
A2549WV-2*6P	12.70	17.62
A2549WV-2*7P	15.24	20.16
A2549WV-2*8P	17.78	22.70
A2549WV-2*9P	20.32	25.24
A2549WV-2*10P	22.86	27.78
A2549WV-2*11P	25.40	30.32
A2549WV-2*12P	27.94	32.86
A2549WV-2*13P	30.48	35.40
A2549WV-2*14P	33.02	37.94
A2549WV-2*15P	35.56	40.48
A2549WV-2*16P	38.10	43.02

PART NO.	Dimensions	
	A	B
A2549WV-2*17P	40.64	45.56
A2549WV-2*18P	43.18	48.10
A2549WV-2*19P	45.72	50.64
A2549WV-2*20P	48.26	53.18
A2549WV-2*21P	50.80	55.72
A2549WV-2*22P	53.34	58.26
A2549WV-2*23P	55.88	60.80
A2549WV-2*24P	58.42	63.34
A2549WV-2*25P	60.96	65.88
A2549WV-2*26P	63.50	68.42
A2549WV-2*27P	66.04	70.96
A2549WV-2*28P	68.58	73.50
A2549WV-2*29P	71.12	76.04
A2549WV-2*30P	73.66	78.58
A2549WV-2*31P	76.20	81.12
A2549WV-2*32P	78.74	83.66

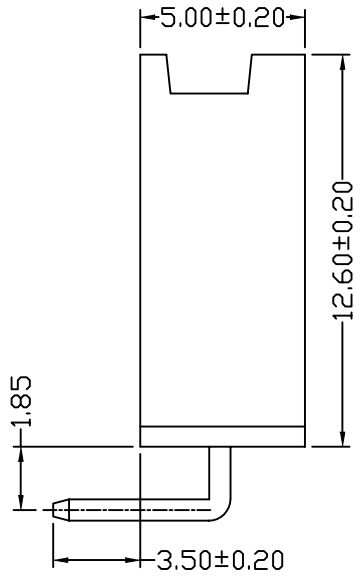
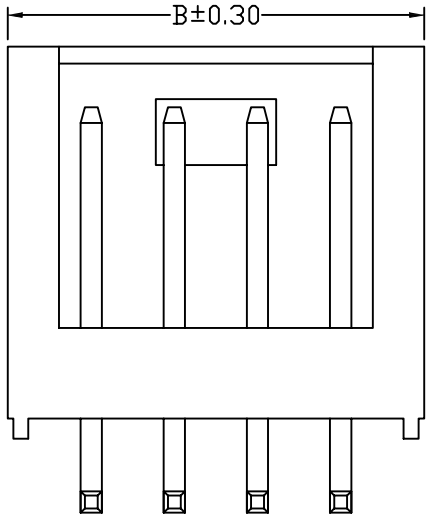
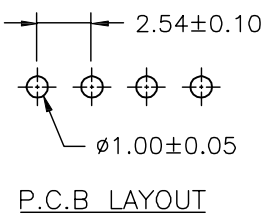
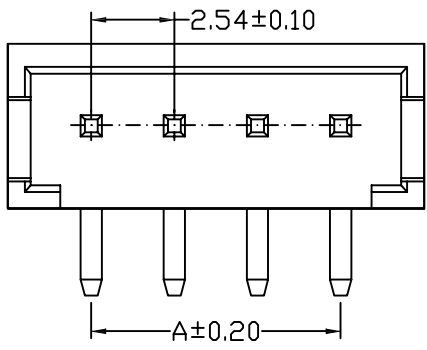
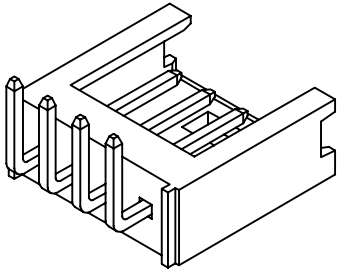
LHF 东莞市连海电子有限公司
DONG GUAN LIAN HAI ELECTRONICS CO.,LTD

DRAW NO.	DATE	MODEL NO	DRAW NAME
DESIGN:		P/N NO:	AMP2.54 180度WF-2*NP
CHECK:	周涛	A2549-WV-2*NP	
REVIEW:	刘丽娜	REV C	SCALE 1:1

DIM	TOL	DIM	TOL
X.	/	X.	/
X.X	±0.15	X.X*	±2*
X.XX	±0.10	X.XX*	±1*
X.XXX	±0.05	X.XXX*	/

UNIT: mm SHEET: 1 OF 1

SPECIFICATIONS
 Current Rating: 3A AC,DC
 Voltage Rating: 250V AC,DC
 Temperature Range: -25°C ~ +85°C
 Contact Resistance: 20mΩ Max
 Insulation Resistance: 1000MΩ Min
 Withstanding Voltage: 1000V AC/minute
 Pin Material: Brass/Tin-plated
 Material: PBT,UL94V-0
 Color: Natural(Black)



Ordering Information & Dimensions

PART NO.	Dimensions	
	A	B
A2549-WR-02P	2.54	7.70
A2549-WR-03P	5.08	10.20
A2549-WR-04P	7.62	12.70
A2549-WR-05P	10.16	15.20
A2549-WR-06P	12.70	17.80
A2549-WR-07P	15.24	20.30
A2549-WR-08P	17.78	22.90
A2549-WR-09P	20.32	25.40
A2549-WR-10P	22.86	28.00
A2549-WR-11P	25.40	30.50
A2549-WR-12P	27.94	33.10
A2549-WR-13P	30.48	35.60
A2549-WR-14P	33.02	38.10
A2549-WR-15P	35.56	40.70
A2549-WR-16P	38.10	43.20
A2549-WR-17P	40.64	45.70
A2549-WR-18P	43.18	48.20
A2549-WR-19P	45.72	50.70
A2549-WR-20P	48.26	53.20
A2549-WR-21P	50.80	55.70
A2549-WR-22P	53.34	58.50

LHF东莞市连海电子有限公司
 DONG GUAN LIAN HAI ELECTRONICS CO.LTD

DRAW NO.	DATE	MODEL NO	DRAW NAME
DESIGN:		P/N NO:	AMP2.54 90度WF
CHECK:	周涛	A2549-WR-NP	
REVIEW:	刘丽娜	REV C	SCALE 1:1

DIM	TOL	DIM	TOL
X.	/	X.*	/
X.X	±0.15	X.X*	±2°
X.XX	±0.10	X.XX*	±1°
X.XXX	±0.05	X.XXX*	/

UNIT: mm SHEET: 1 OF 1