

LHF 东莞市连海电子有限公司

DONG GUAN LIAN HAI ELECTRONICS CO.LTD

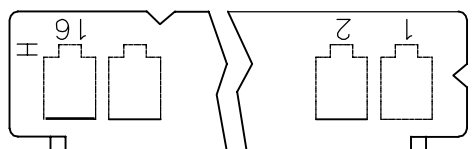
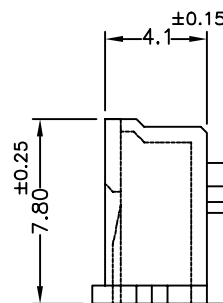
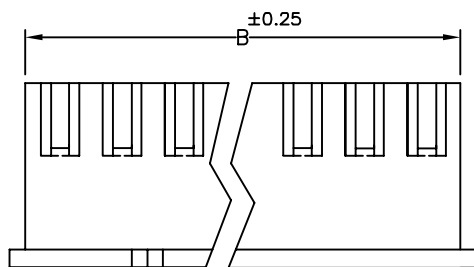
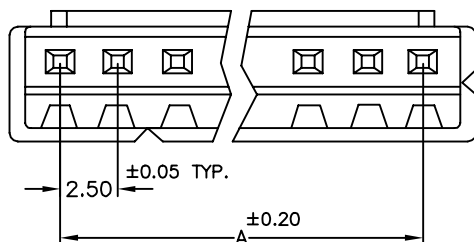
产品编号

A2501H

产品名称

XH-2.5mm

MATERIAL: NYLON 66 UL94V-0



Dimensional & Ordering Information:

Circuits	Part No	Dimension (mm)		PCS/BAG
		A	B	
2	A2501H-2P	2.50	5.75	1,000
3	A2501H-3P	5.00	8.25	1,000
4	A2501H-4P	7.50	10.75	1,000
5	A2501H-5P	10.00	13.25	1,000
6	A2501H-6P	12.50	15.75	1,000
7	A2501H-7P	15.00	18.25	1,000
8	A2501H-8P	17.50	20.75	1,000
9	A2501H-9P	20.00	23.25	1,000
10	A2501H-10P	22.50	25.75	1,000
11	A2501H-11P	25.00	28.25	1,000
12	A2501H-12P	27.50	30.75	1,000
13	A2501H-13P	30.00	33.25	1,000
14	A2501H-14P	32.50	35.75	1,000
15	A2501H-15P	35.00	38.25	1,000
16	A2501H-16P	37.50	40.75	1,000

Poles	2~16 Poles
Pitch between poles	2.5mm
Rated Voltage	250V AC,DC
Rated current	3A
Withstand Voltage	800V AC/minute
Insulation Resistance	1,000MΩ/min
Temperaure Range	-25~85°C
Applicable Wire	AWG#22~#30

REV	ECN NO.	UNIT	TOLERANCE	PROJECTION	DRAWING	CHECK	APPROVAL
△A	NEW DRAWING	mm	*** ±0.08		李明	王立天	刘国成
△B			** ±0.15				
			* ±0.25				

LHF 东莞市连海电子有限公司

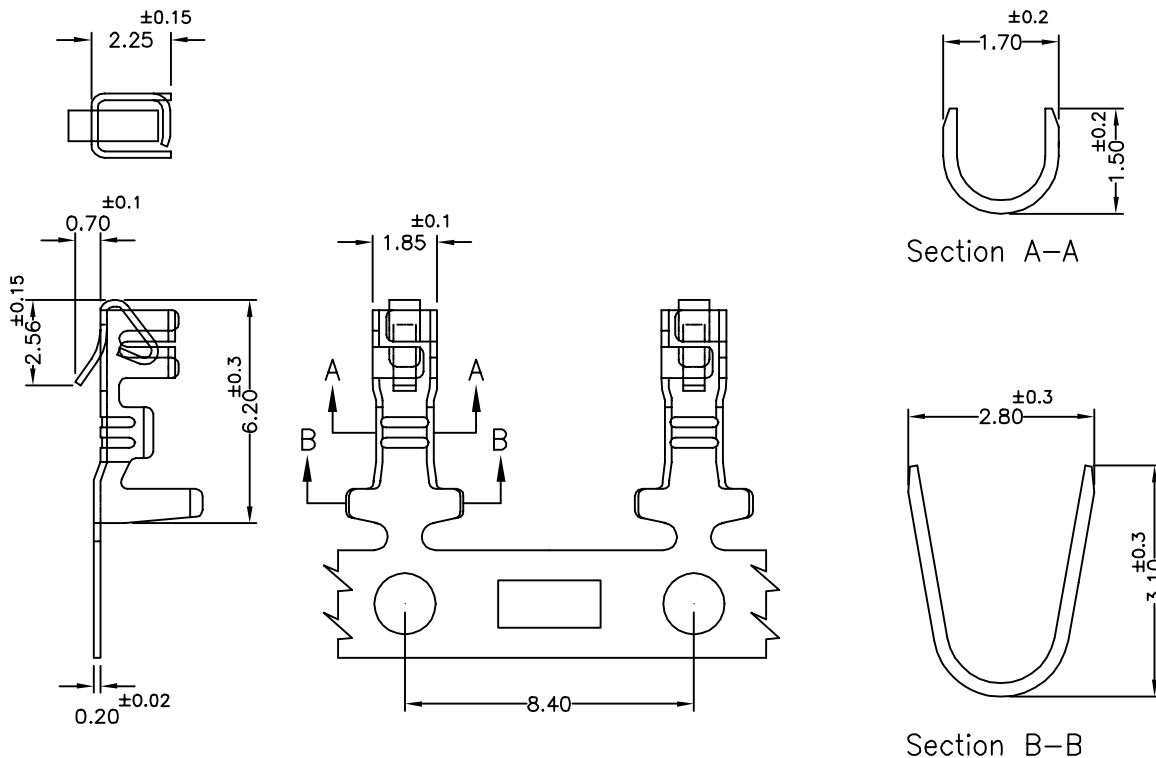
DONG GUAN LIAN HAI ELECTRONICS CO.LTD

产品编号

A2501T

产品名称

XH-2.5mm



Specifications & Ordering Information:

Part No	Wire Range	Material	Finish	Qty/reel
A2501TP	AWG#22~#30	Phosphor bronze	Tin-Plated	7,000 PCS
A2501TB	AWG#22~#30	Brass	Tin-Plated	7,000 PCS

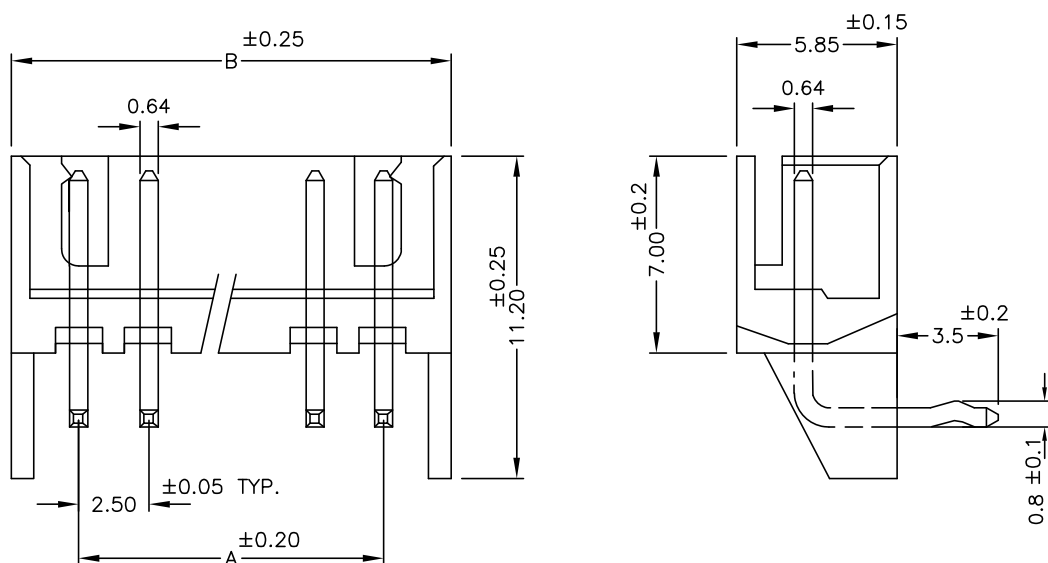
REV	ECN NO.	UNIT	TOLERANCE	PROJECTION	DRAWING	CHECK	APPROVAL
A	NEW DRAWING	mm	*** ±0.08		李明	王立天	刘国成
B			** ±0.15				
			* ±0.25				

LHF 东莞市连海电子有限公司

DONG GUAN LIAN HAI ELECTRONICS CO.LTD

产品编号
A2501WR-NP (定位)
产品名称
XH-2.5mm

MATERIAL: NYLON 66 UL94V-0



Dimensional & Ordering Information:

Circuits	Part No	Dimension (mm)		PCS/BAG
		A	B	
		90°		
2	A2501WR-2P	2.50	7.50	1,000
3	A2501WR-3P	5.00	10.00	1,000
4	A2501WR-4P	7.50	12.50	1,000
5	A2501WR-5P	10.00	15.00	1,000
6	A2501WR-6P	12.50	17.50	1,000
7	A2501WR-7P	15.00	20.00	1,000
8	A2501WR-8P	17.50	22.50	1,000
9	A2501WR-9P	20.00	25.00	1,000
10	A2501WR-10P	22.50	27.50	1,000
11	A2501WR-11P	25.00	30.00	1,000
12	A2501WR-12P	27.50	32.50	1,000
13	A2501WR-13P	30.00	35.00	1,000
14	A2501WR-14P	32.50	37.50	1,000
15	A2501WR-15P	35.00	40.00	1,000
16	A2501WR-16P	37.50	42.50	1,000

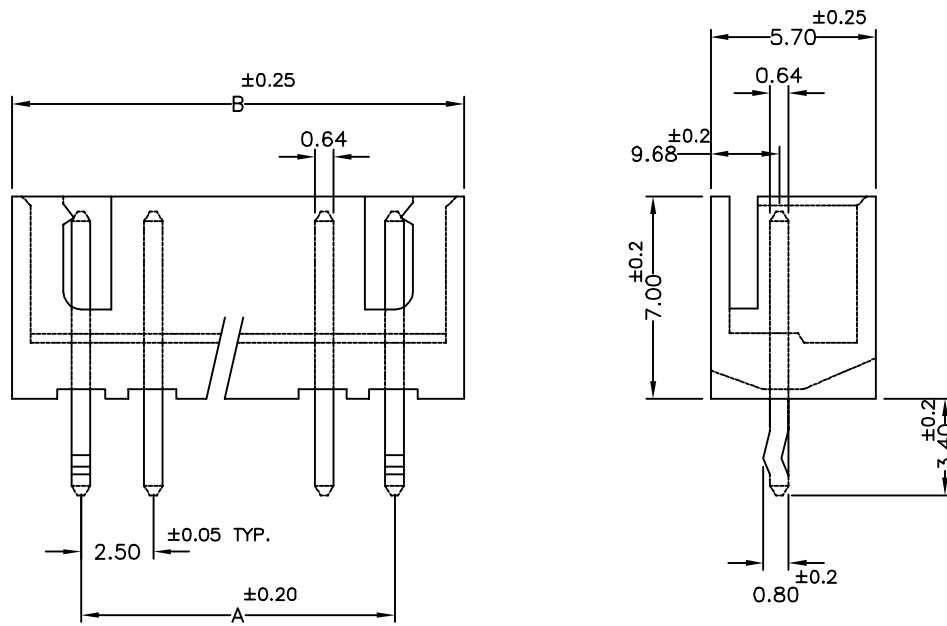
Poles	2~16 Poles
Pitch between poles	2.5mm
Rated Voltage	250V AC,DC
Rated current	3A
Withstand Voltage	800V AC/minute
Insulation Resistance	1,000M Ω /min
Temperaure Range	-25~85°C

REV	ECN NO.	UNIT	TOLERANCE	PROJECTION	DRAWING	CHECK	APPROVAL
$\triangle A$	NEW DRAWING	mm	.*** ± 0.08		周涛	周涛	周涛
$\triangle B$.** ± 0.15				
			.* ± 0.25				

LHF 东莞市连海电子有限公司
 DONG GUAN LIAN HAI ELECTRONICS CO.LTD

产品编号
 A2501-WV
 产品名称
 XH-2.5mm

MATERIAL: NYLON 66 UL94V-0

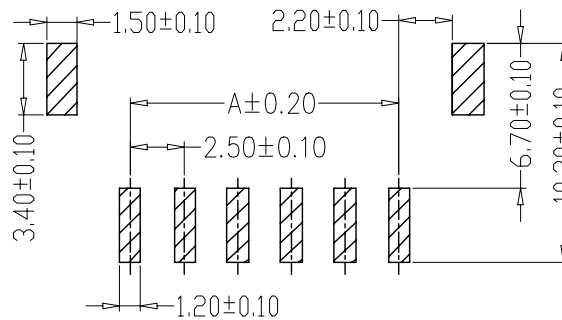
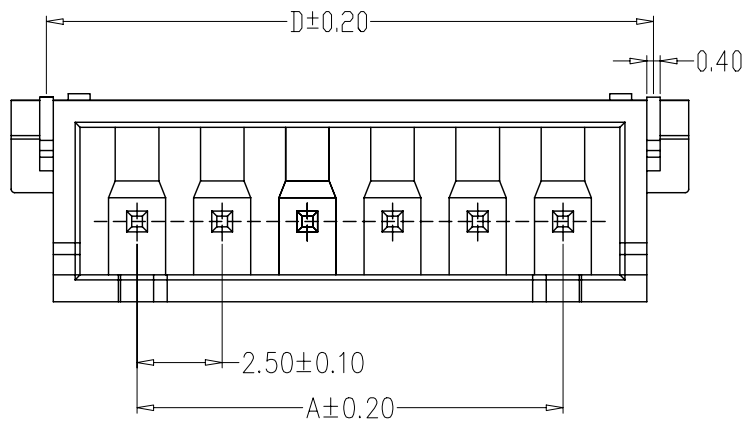
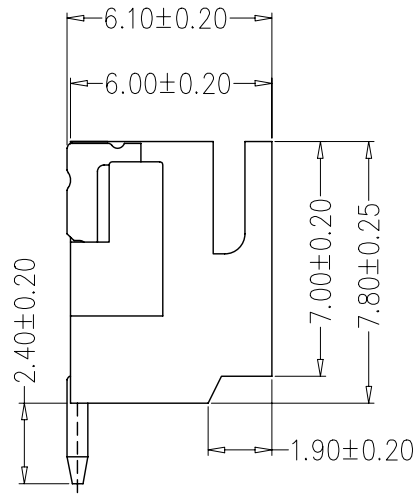
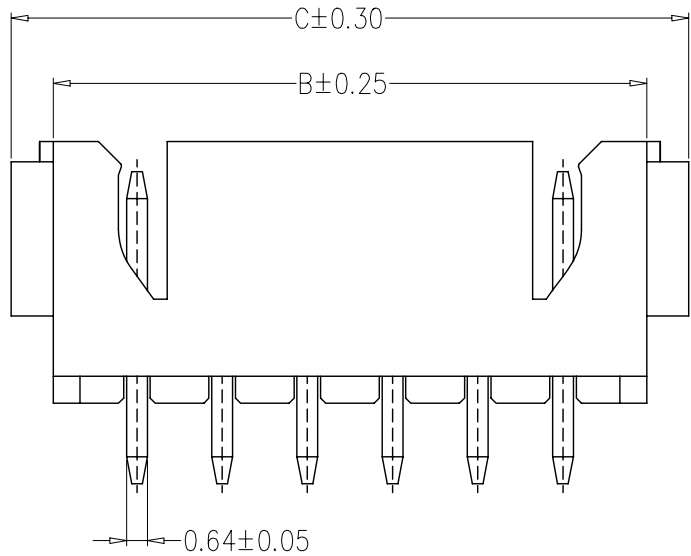


Dimensional & Ordering Information:

Circuits	Part No	Dimension (mm)		PCS/BAG
	180°	A	B	
2	A2501WV-2P	2.50	7.50	1,000
3	A2501WV-3P	5.00	10.00	1,000
4	A2501WV-4P	7.50	12.50	1,000
5	A2501WV-5P	10.00	15.00	1,000
6	A2501WV-6P	12.50	17.50	1,000
7	A2501WV-7P	15.00	20.00	1,000
8	A2501WV-8P	17.50	22.50	1,000
9	A2501WV-9P	20.00	25.00	1,000
10	A2501WV-10P	22.50	27.50	1,000
11	A2501WV-11P	25.00	30.00	1,000
12	A2501WV-12P	27.50	32.50	1,000
13	A2501WV-13P	30.00	35.00	1,000
14	A2501WV-14P	32.50	37.50	1,000
15	A2501WV-15P	35.00	40.00	1,000
16	A2501WV-16P	37.50	42.50	1,000

Poles	2~16 Poles
Pitch between poles	2.5mm
Rated Voltage	250V AC,DC
Rated current	3A
Withstand Voltage	800V AC/minute
Insulation Resistance	1,000M Ω /min
Temperature Range	-25~85°C

REV	ECN NO.	UNIT	TOLERANCE	PROJECTION	DRAWING	CHECK	APPROVAL
$\triangle A$	NEW DRAWING	mm	*** ± 0.08		李明	王立天	刘国成
$\triangle B$			** ± 0.15				
			* ± 0.25				



PCB LAYOUT

SPECIFICATIONS

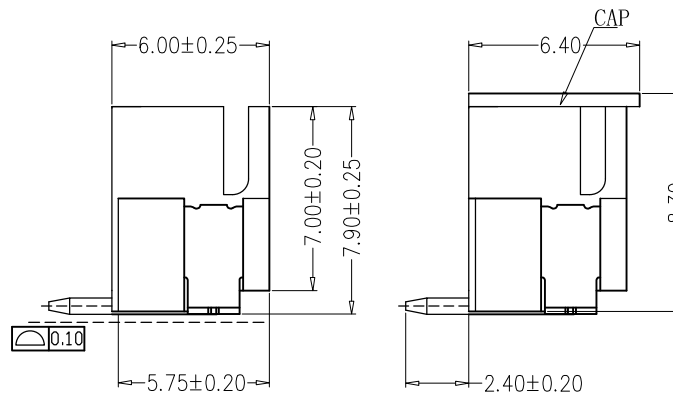
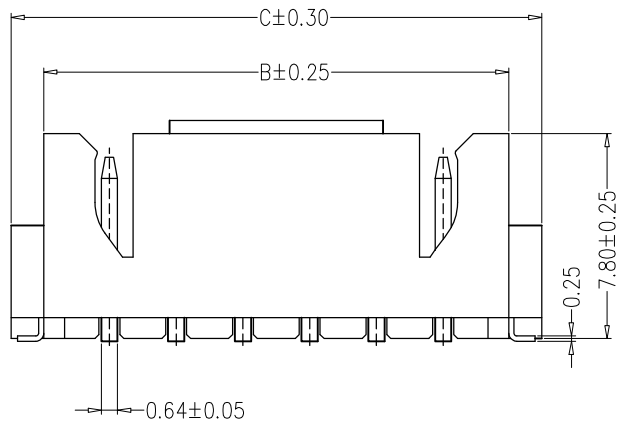
- 1、Current Rating: 3A AC, DC
- 2、Voltage Rating: 250V AC, DC
- 3、Temperatuer Range: $-25^{\circ}\text{C} \sim +85^{\circ}\text{C}$
- 4、Contact Resistance: $10\text{m}\Omega$ Max
- 5、Insulation Resistance: $1000\text{M}\Omega$ Min
- 6、Withstanding Voltang: 1000V AC/minute
- 7、Material: Wafer LCP, UL94V-0
PIN Brass Tin-plated
Solder tads Brass Tin-plated

编 号	尺寸 (mm)			
	A	B	C	D
A2501-WR-S-02P	2.50	7.50	10.00	8.20
A2501-WR-S-03P	5.00	10.00	12.50	10.70
A2501-WR-S-04P	7.50	12.50	15.00	13.20
A2501-WR-S-05P	10.00	15.00	17.50	15.70
A2501-WR-S-06P	12.50	17.50	20.00	18.20
A2501-WR-S-07P	15.00	20.00	22.50	20.70
A2501-WR-S-08P	17.50	22.50	25.00	23.20
A2501-WR-S-09P	20.00	25.00	27.50	25.70
A2501-WR-S-10P	22.50	27.50	30.00	28.20
A2501-WR-S-11P	25.00	30.00	32.50	30.70
A2501-WR-S-12P	27.50	32.50	35.00	33.20
A2501-WR-S-15P	35.00	40.00	42.50	40.70

LHF 东莞市连海电子有限公司
DONG GUAN LIAN HAI ELECTRONICS CO.LTD

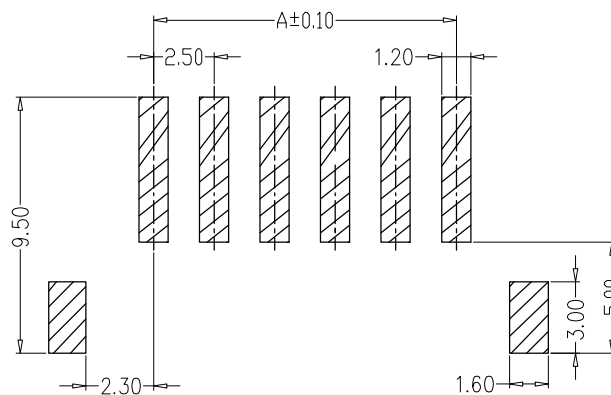
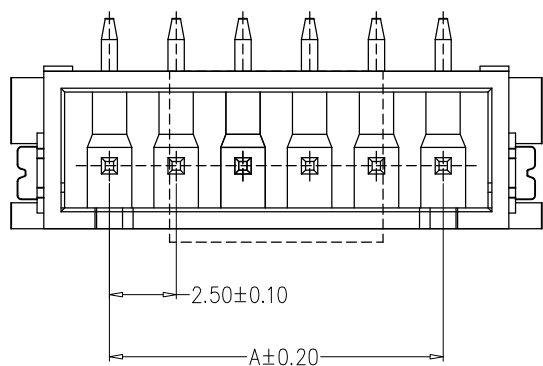
DRAW NO.	DATE	MODEL NO	DRAW NAME
DESIGN:		P/N NO:	
CHECK:	周涛	A2501-WR-S-NP	XH2.5 卧贴-NP
REVIEW:		REV C	SCALE 1:1
UNIT: mm	SHEET: 1	DF1	

DIM	TOL	DIM	TOL
X.	/	X.*	/
X.X	± 0.15	X.X*	$\pm 2^{\circ}$
X.XX	± 0.10	X.XX*	$\pm 1^{\circ}$
X.XXX	± 0.05	X.XXX*	7°



SPECIFICATIONS

- 1、Current Rating: 3A AC, DC
- 2、Voltage Rating: 250V AC, DC
- 3、Temperatuer Range: -25°C~+85°C
- 4、Contact Resistance: 20mΩ Max
- 5、Insulation Resistance: 1000MΩ Min
- 6、Withstanding Voltang: 1000V AC/minute
- 7、Material: Wafer LCP、PA6T、UL94V-0
PIN Brass Tin-plated
Solder tad Phosphoric bronze Tin-plated



编 号	尺寸 (mm)		
	A	B	C
A2501-WV-S-02P	2.50	7.50	10.00
A2501-WV-S-03P	5.00	10.00	12.50
A2501-WV-S-04P	7.50	12.50	15.00
A2501-WV-S-05P	10.00	15.00	17.50
A2501-WV-S-06P	12.50	17.50	20.00
A2501-WV-S-07P	15.00	20.00	22.50
A2501-WV-S-08P	17.50	22.50	25.00
A2501-WV-S-09P	20.00	25.00	27.50
A2501-WV-S-10P	22.50	27.50	30.00
A2501-WV-S-11P	25.00	30.00	32.50
A2501-WV-S-12P	27.50	32.50	35.00
A2501-WV-S-20P	47.50	52.50	55.00

PCB LAYOUT

LHF 东莞市连海电子有限公司
DONG GUAN LIAN HAI ELECTRONICS CO.LTD

GENERAL	TOLERANCE	DRAW NO.	DATE	MODEL NO	DRAW NAME
X.±0.25	X.'±2'	DESIGN:		P/N NO:	
.X±0.20	.X'±1'	CHECK:	周涛	A2501-WV-S-NP	XH2.5 立贴-NP
.XX±0.15	.XX'±0.5'	REVIEW:		REV C	SCALE 1:1
.XXX±0.10	.XXX'±0.5'			UNIT: mm	SHEET: 1 OF 1